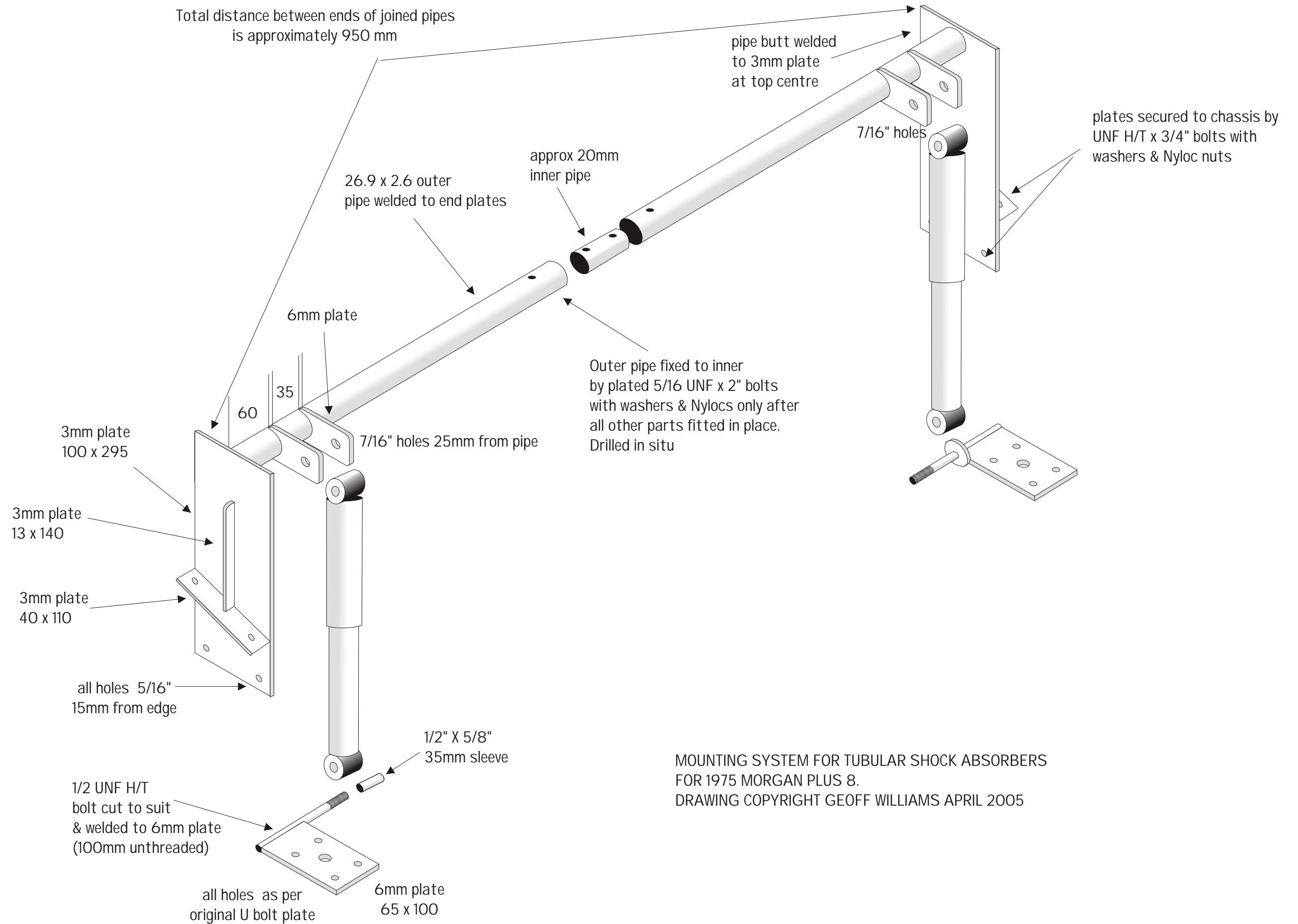


MOUNTING SYSTEM FOR TUBULAR SHOCK ABSORBERS
FOR 1975 MORGAN PLUS 8.
DRAWING COPYRIGHT GEOFF WILLIAMS APRIL 2005



MOUNTING SYSTEM FOR TUBULAR SHOCK ABSORBERS FOR 1975 MORGAN PLUS 8.
DRAWING COPYRIGHT GEOFF WILLIAMS APRIL 2005